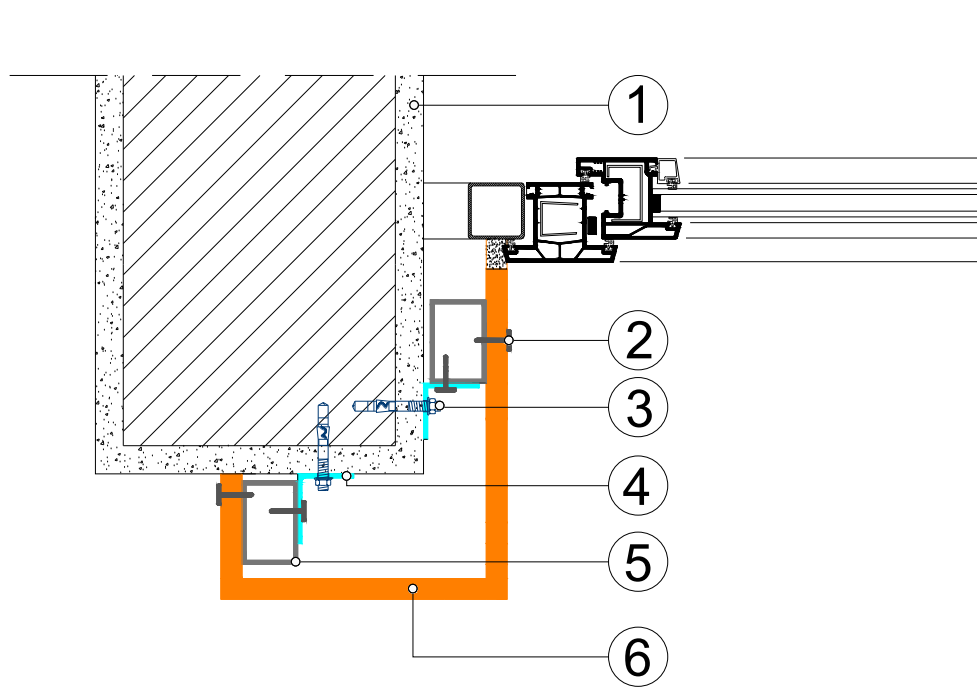


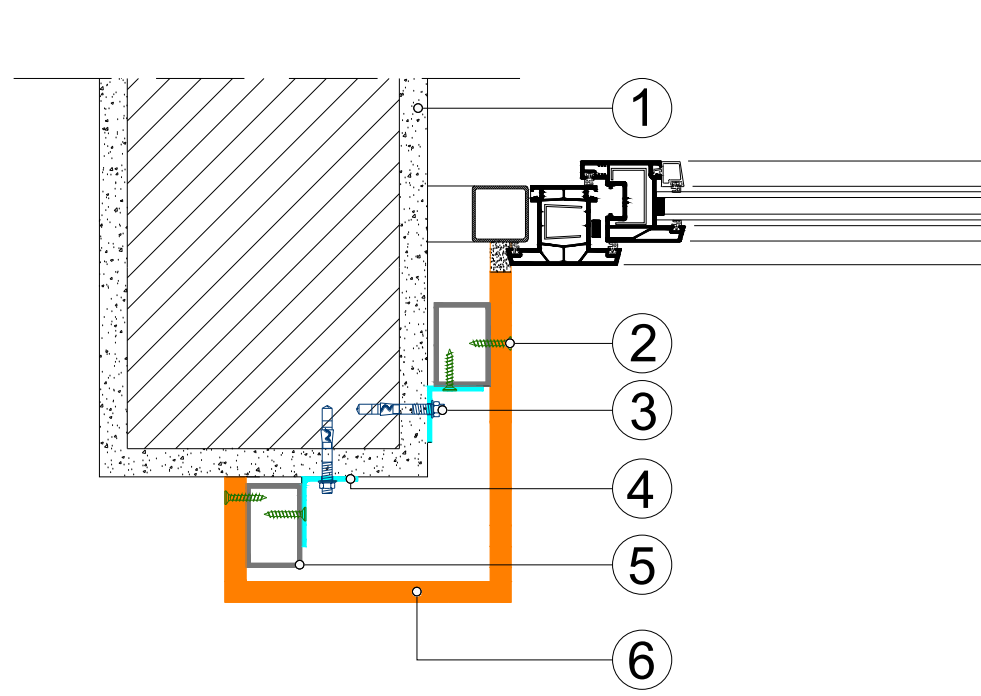
# CBOARD Jamb Connection Details-1



PLAN

1. Rough Cast
2. Rivet
3. Wall Plug
4. Galvanized L Bracket
5. Galvanized Profile
6. CBOARD Jamb

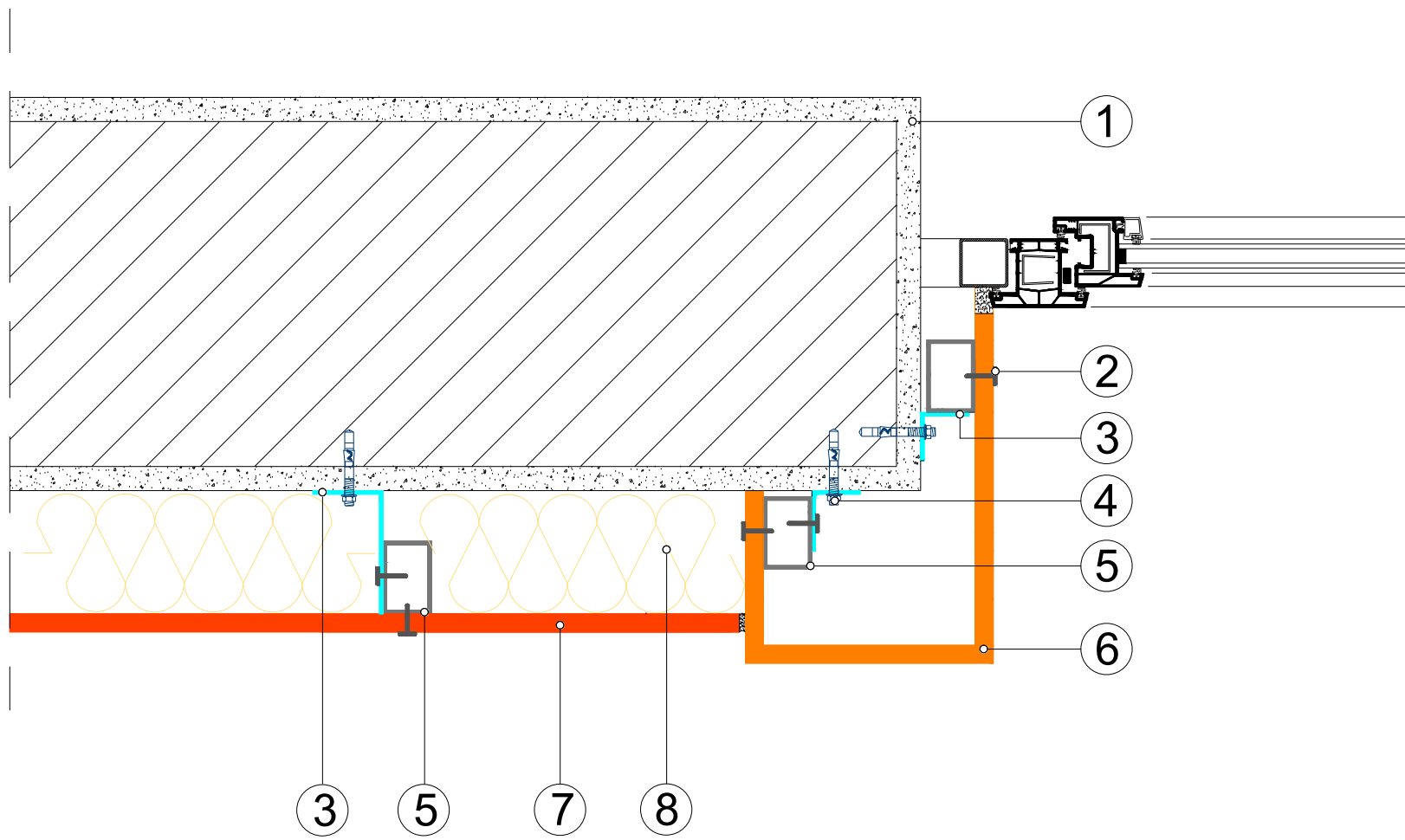
# CBOARD Jamb Connection Details-2



PLAN

1. Rough Cast
2. Screw
3. Wall Plug
4. Galvanized L Bracket
5. Galvanized Profile
6. CBOARD Jamb

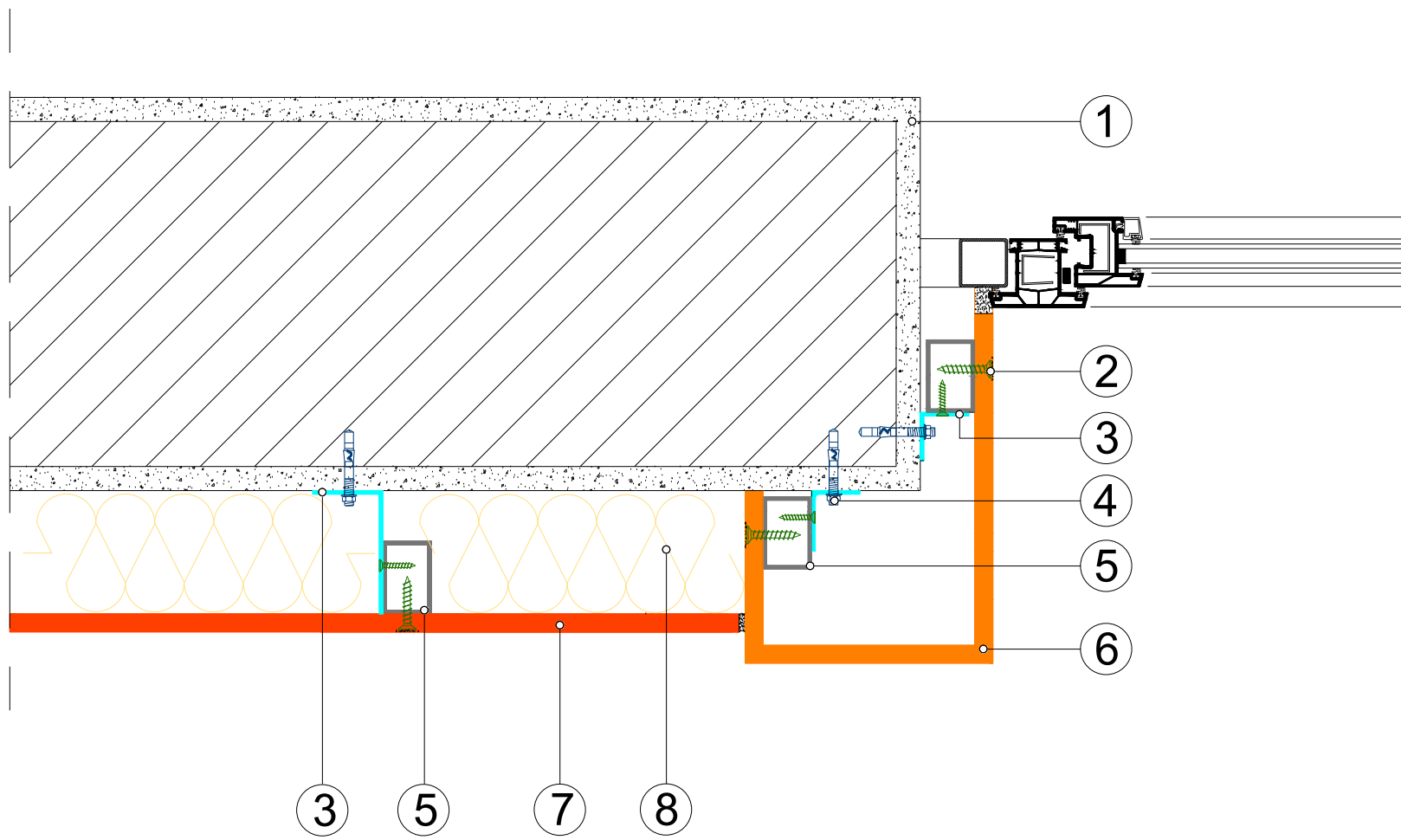
# CBOARD Panel-Jamb Connection Details-1



## PLAN

1. Rough Cast
2. Rivet
3. Galvanized L Bracket
4. Wall Plug
5. Galvanized Profile
6. CBOARD Jamb
7. CBOARD Panel
8. Heat Insulation

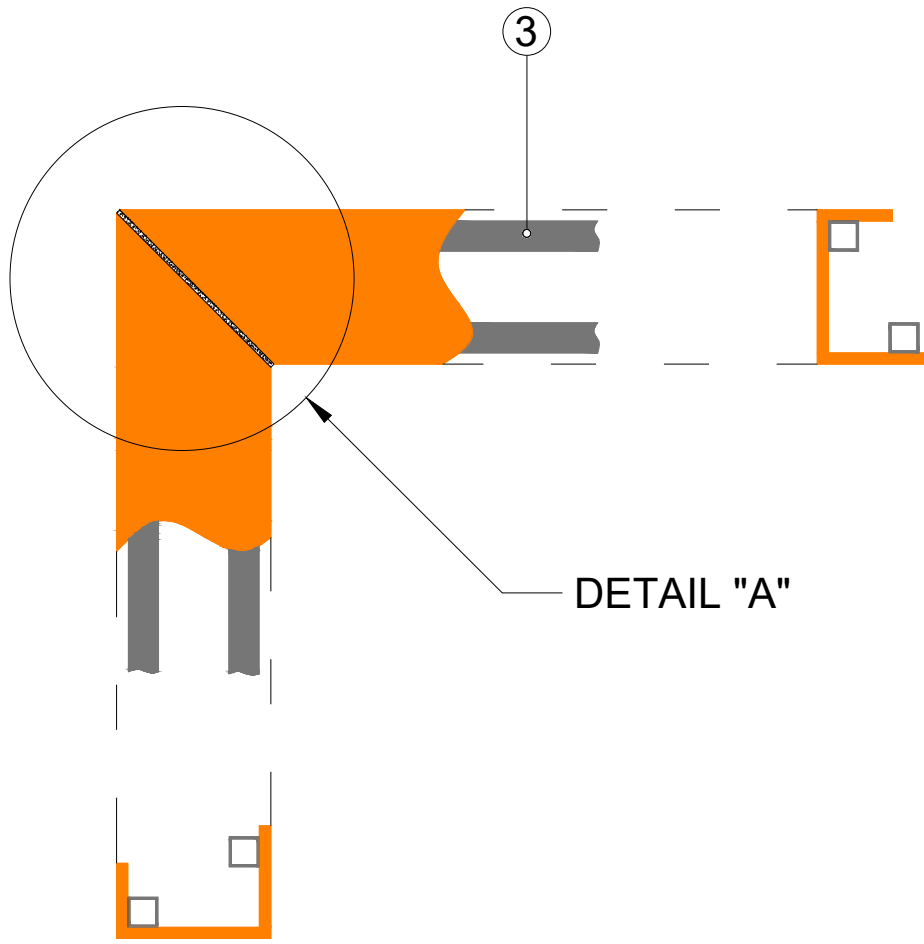
# CBOARD Panel-Jamb Connection Details-2



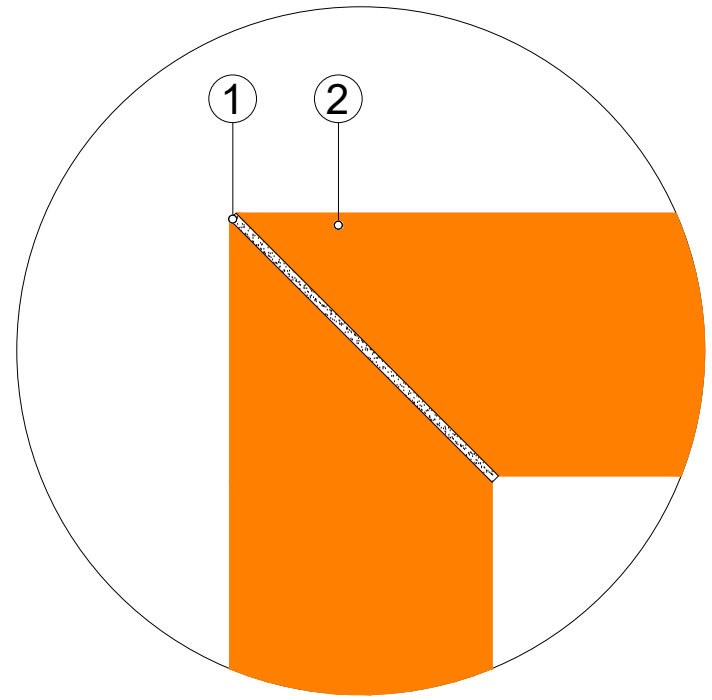
## PLAN

1. Rough Cast
2. Screw
3. Galvanized L Bracket
4. Wall Plug
5. Galvanized Profile
6. CBOARD Jamb
7. CBOARD Panel
8. Heat Insulation

# CBOARD Jamb Details-1

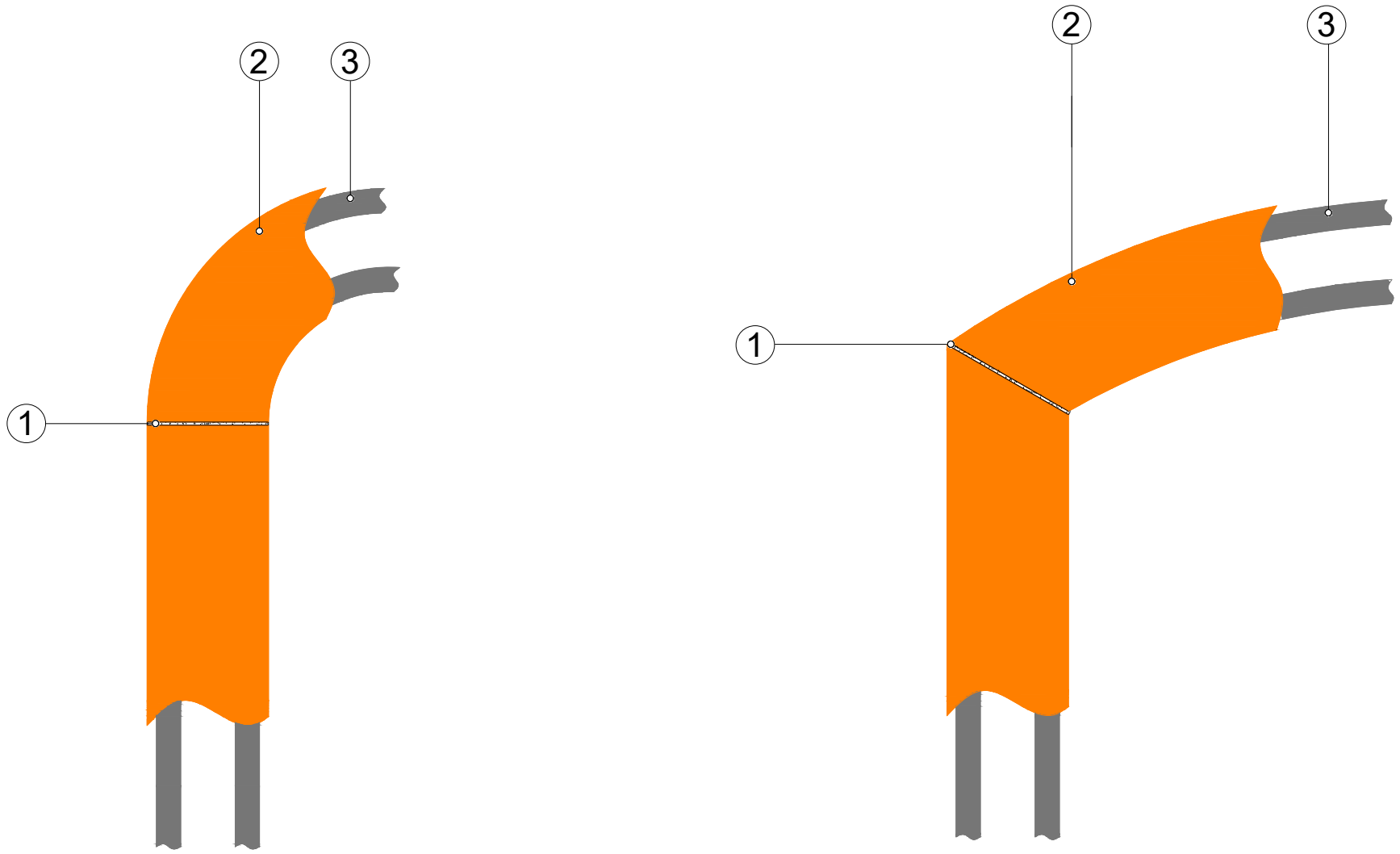


1. PU based Sealant
2. CBOARD Jamb
3. Galvanized Profile



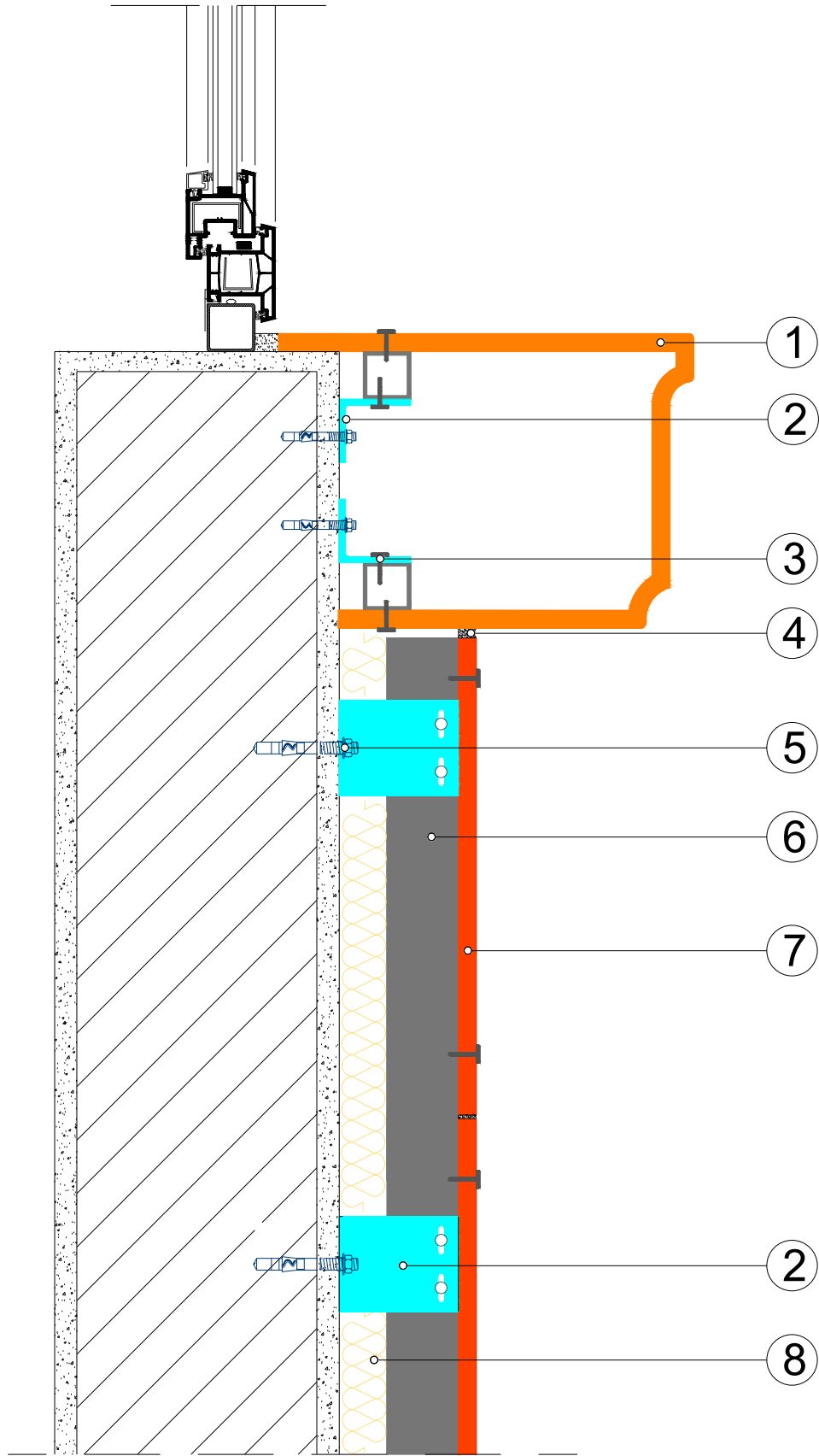
DETAIL A

## CBOARD Jamb Details-2



1. PU based Sealant
2. CBOARD Jamb
3. Galvanized Profile

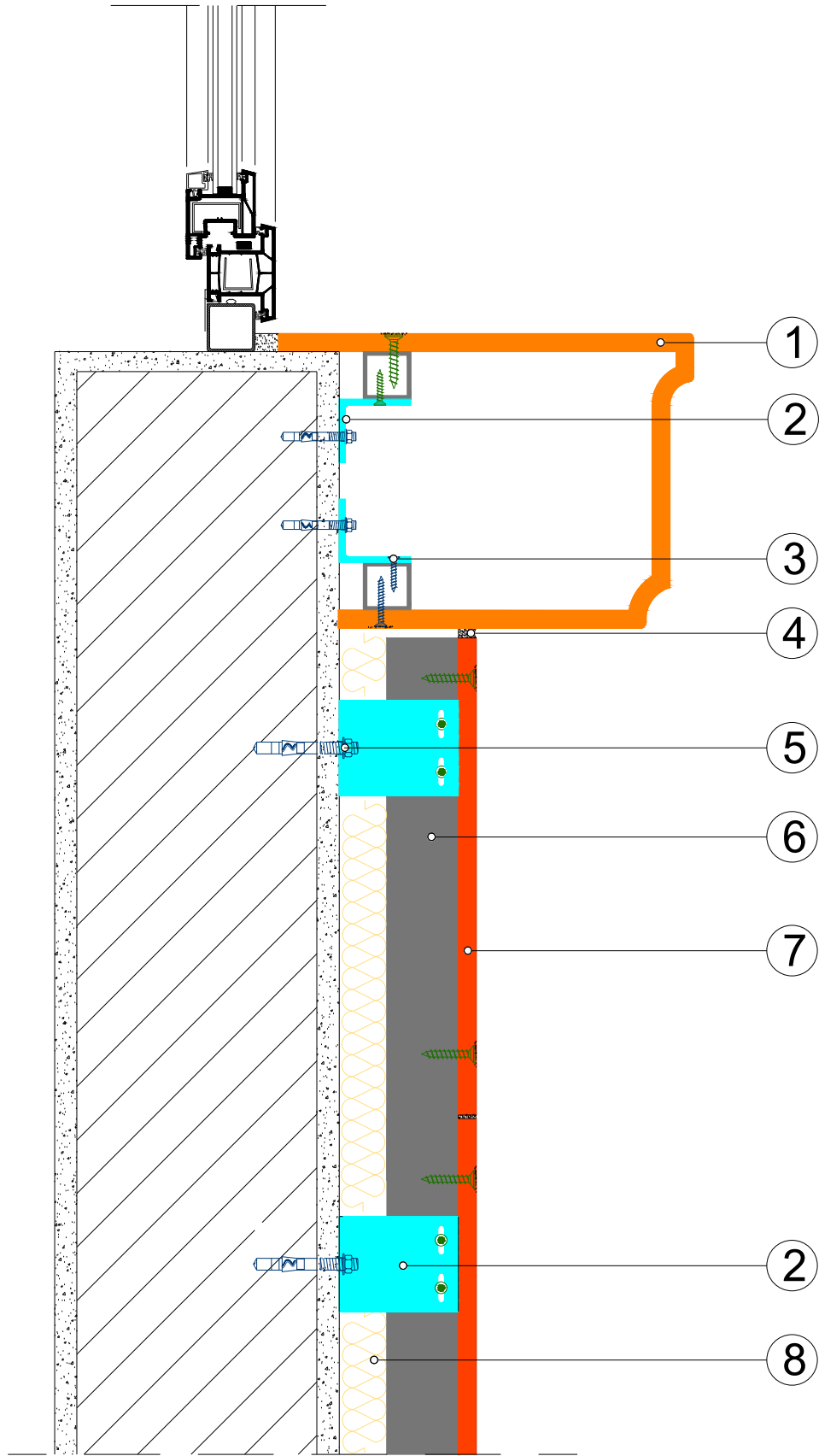
# CBOARD Sill-Panel Connection Details-1



**SECTION**

1. CBOARD Jamb
2. Galvanized L Bracket
3. Rivet
4. PUbased Sealant
5. Wall Plug
6. Galvanize Profile
7. CBOARD Panel
8. Heat Insulation

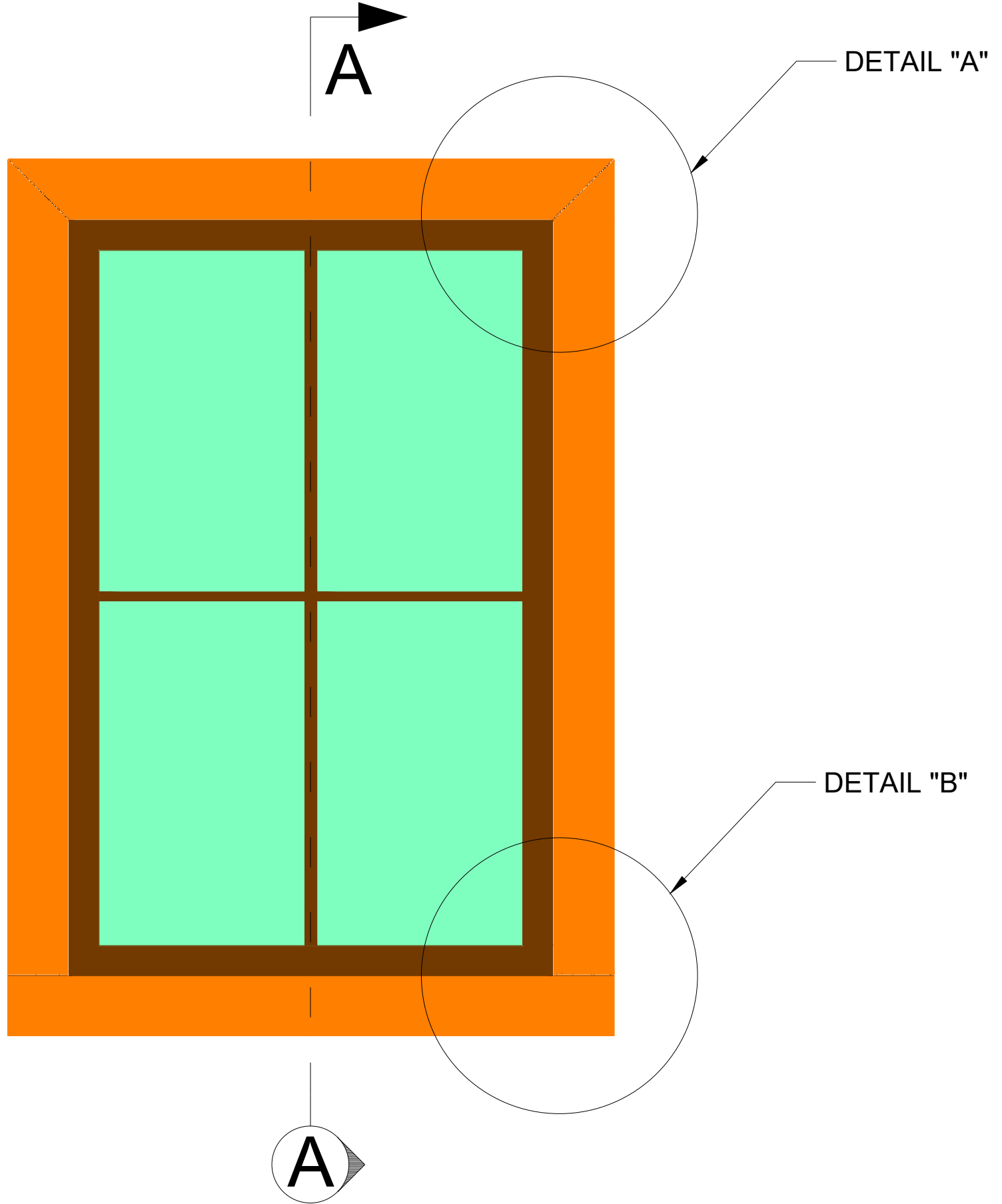
# CBOARD Sill-Panel Connection Details-2



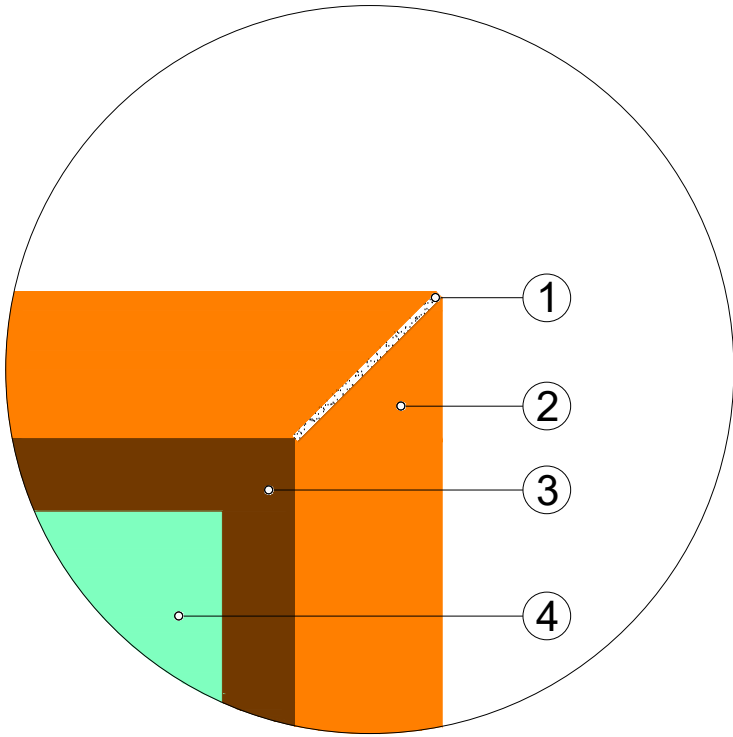
**SECTION**

1. CBOARD Jamb
2. Galvanized L Bracket
3. Screw
4. PUbased Sealant
5. Wall Plug
6. Galvanize Profile
7. CBOARD Panel
8. Heat Insulation

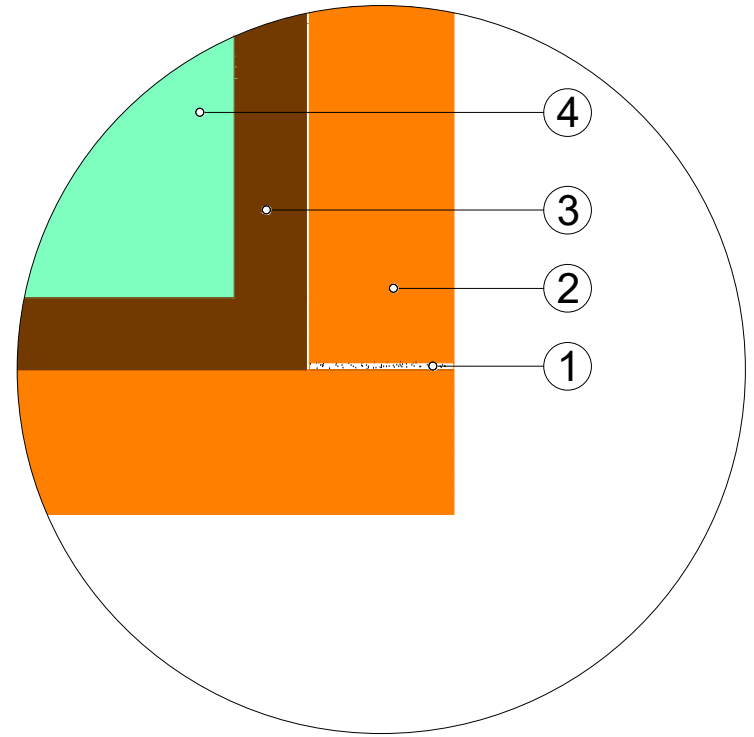
# CBOARD Window Details



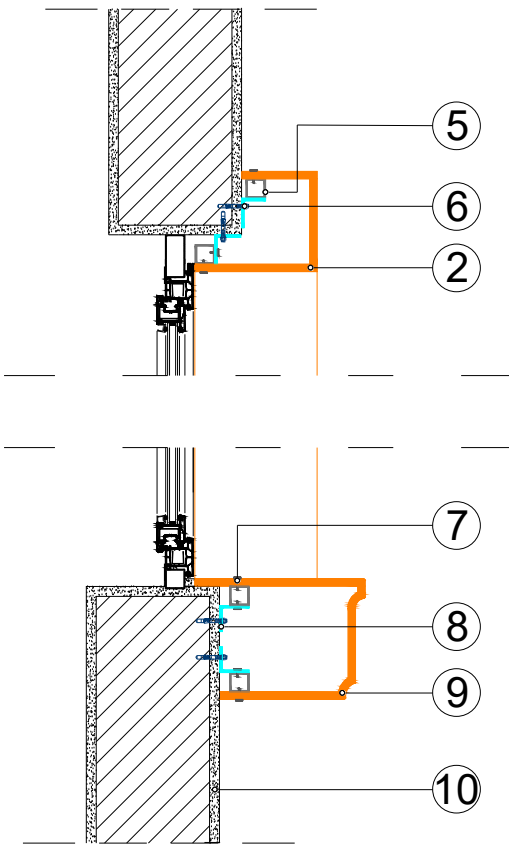
# CBOARD Window Details



DETAIL A



DETAIL B



SECTION A

1. PU based Sealant
2. CBOARD Jamb
3. Window Frame
4. Window
5. Galvanized Profile
6. Wall Plug
7. Rivet
8. Galvanized L Bracket
9. CBOARD Sill
10. Rough Cast